

ORDERING NUMBER:
#CLM50-STROKE-{CYLINDER}

SEE CHART BELOW
STROKE IS 25mm-1,000mm

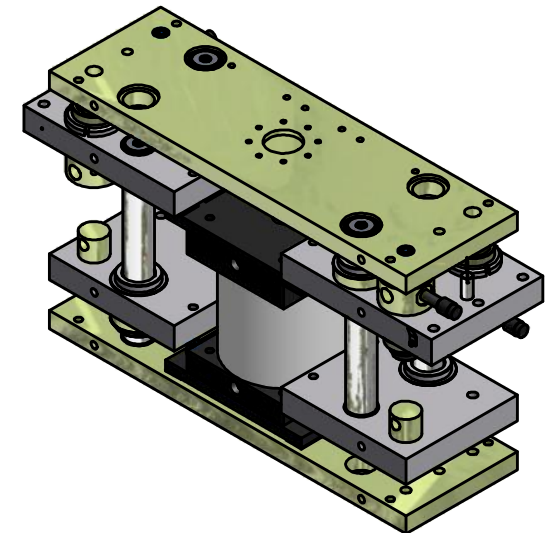
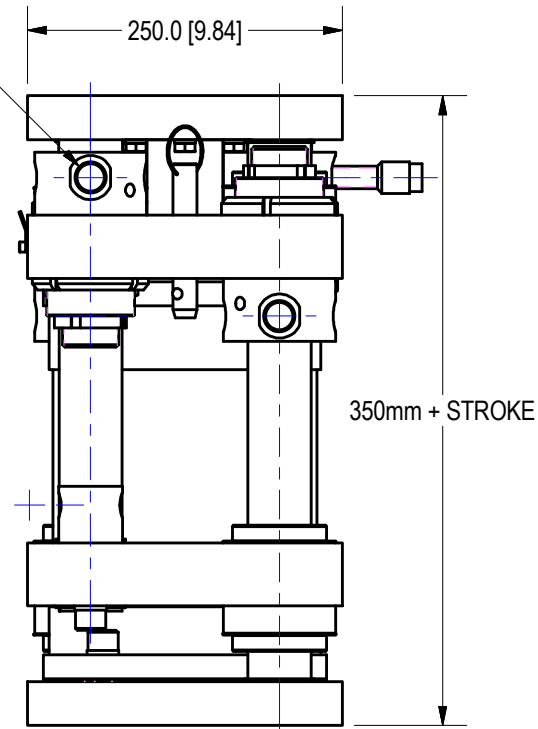
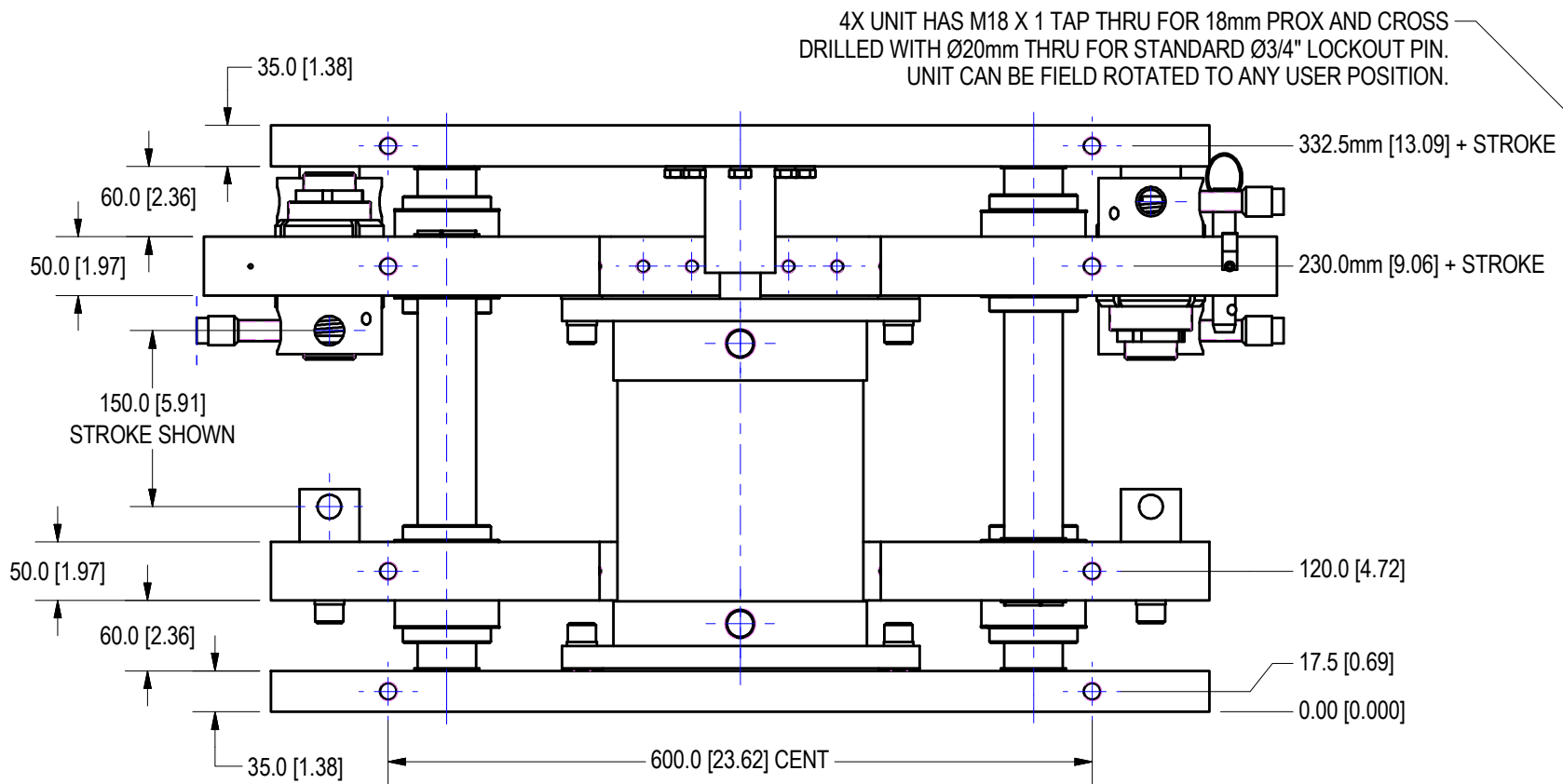
ORDERING EXAMPLES:

TO ORDER UNIT WITH WELKER 150mm BORE X 150mm STROKE LOCKING CYL W/ NPT PORTS, AS SHOWN, ORDER AS:
#CLM50-150-WEL4

NOTES:

2X M10 SHCS @ LOCATION "C" SHOULD BE LEFT CLEAR IF SHIMMING IN THE RETRACTED POSITION IS REQ'D.
60psi LOAD CAP. FOR STD LOCKING & NON-LOCKING AIR CYL: 365lbf (EXTEND) - 325lbf (RETRACT)

CYLOPTION	CYL TYPE	CYL BORE	CYL BRAKE PORTS	MAIN CYL PORTS
-WEL1	NON-LOCK	6"	N/A	3/4 NPT
-WEL2	NON-LOCK	6"	N/A	# 12 SAE
-WEL3	NON-LOCK	6"	N/A	3/4 G
-WEL4	LOCK	6"	1/4 NPT	3/4 NPT
-WEL5	LOCK	6"	#4 SAE	# 12 SAE
-WEL6	LOCK	6"	1/4 G	3/4 G
-WEL7	NON-LOCK	8"	N/A	3/4 NPT
-WEL8	NON-LOCK	8"	N/A	# 12 SAE
-WEL9	NON-LOCK	8"	N/A	3/4 G



UNITS ARE MILLIMETERS
(i.e.X.XXmm [x.xxx"])
DO NOT SCALE DRAWING

DATE	STATUS	DRAWN BY	DATE	CHK'D BY	ENG APPROVAL
12/14/2006	Released	BW	6/22/2010	RCA	
SCALE	N/A	FILE NAME	CLM50L01		

WELKER BEARING COMPANY

TOOL NAME: METRIC LIFTER ASSEMBLY

TEMPLATE