

ORDERING INFORMATION

GB3N025N1L0A00

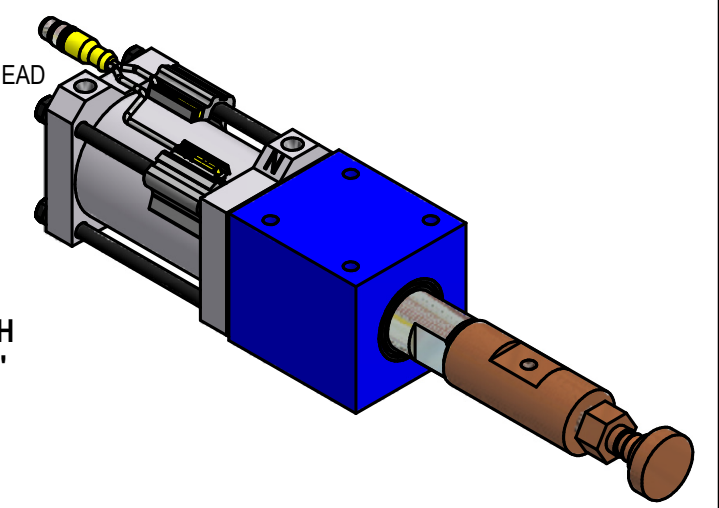
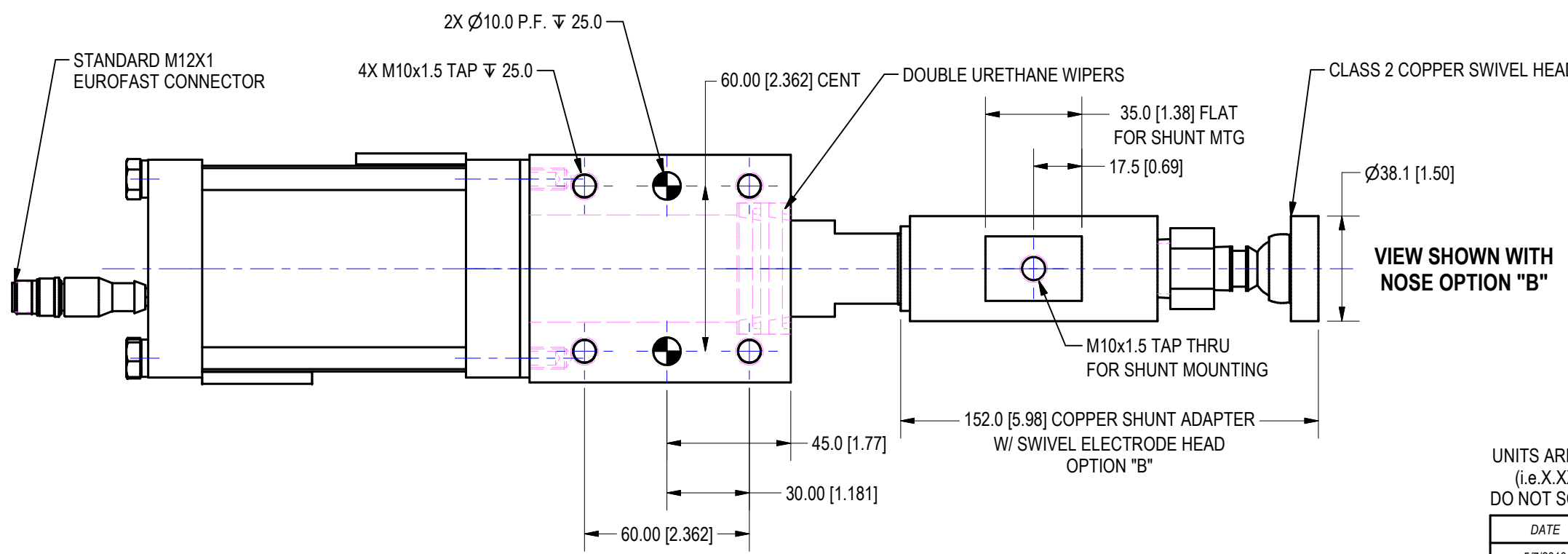
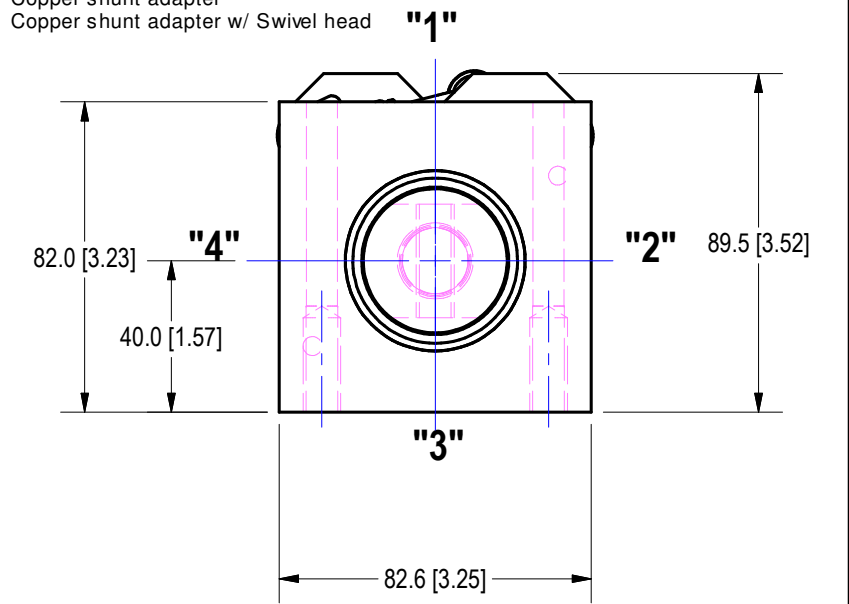
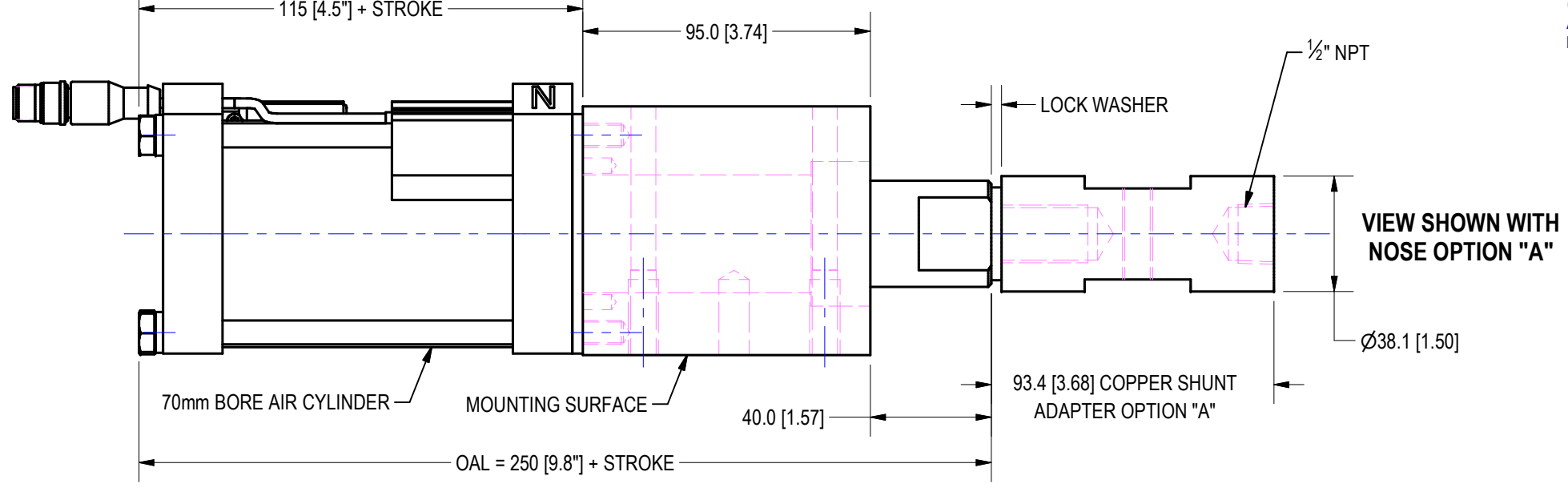
Stroke
025 025, 032, 050, 075 & 100mm Stroke

Port Type
N NPT Ports
G G Ports

Port Location
1 "1" Shown (2, 3 or 4)

Switch
00 No switch
L0 Cylinder switch

Nose Option
0 None
A Copper shunt adapter
B Copper shunt adapter w/ Swivel head **"1"**



UNITS ARE MILLIMETERS
 (i.e.X.XXmm [x.xxx"])
 DO NOT SCALE DRAWING

WEKER BEARING COMPANY					
TOOL NAME: GROUND CYLINDER					
TEMPLATE					
DATE	STATUS	DRAWN BY	DATE	CHK'D BY	ENG APPROVAL
5/7/2010	Released	DJH	1/25/2010	GSK	
SCALE		N/A		FILE NAME	GB3L01