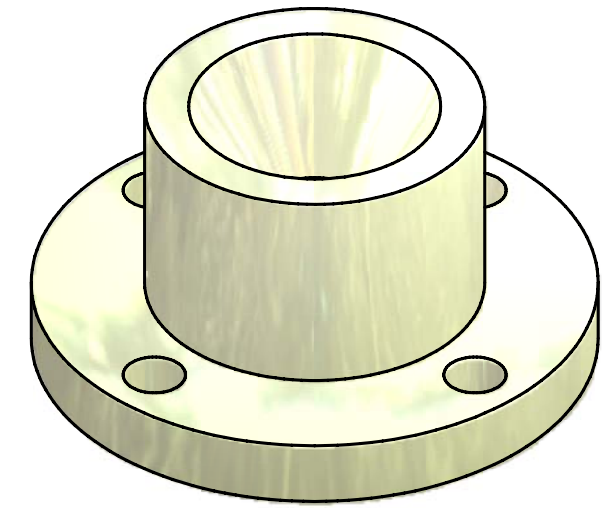
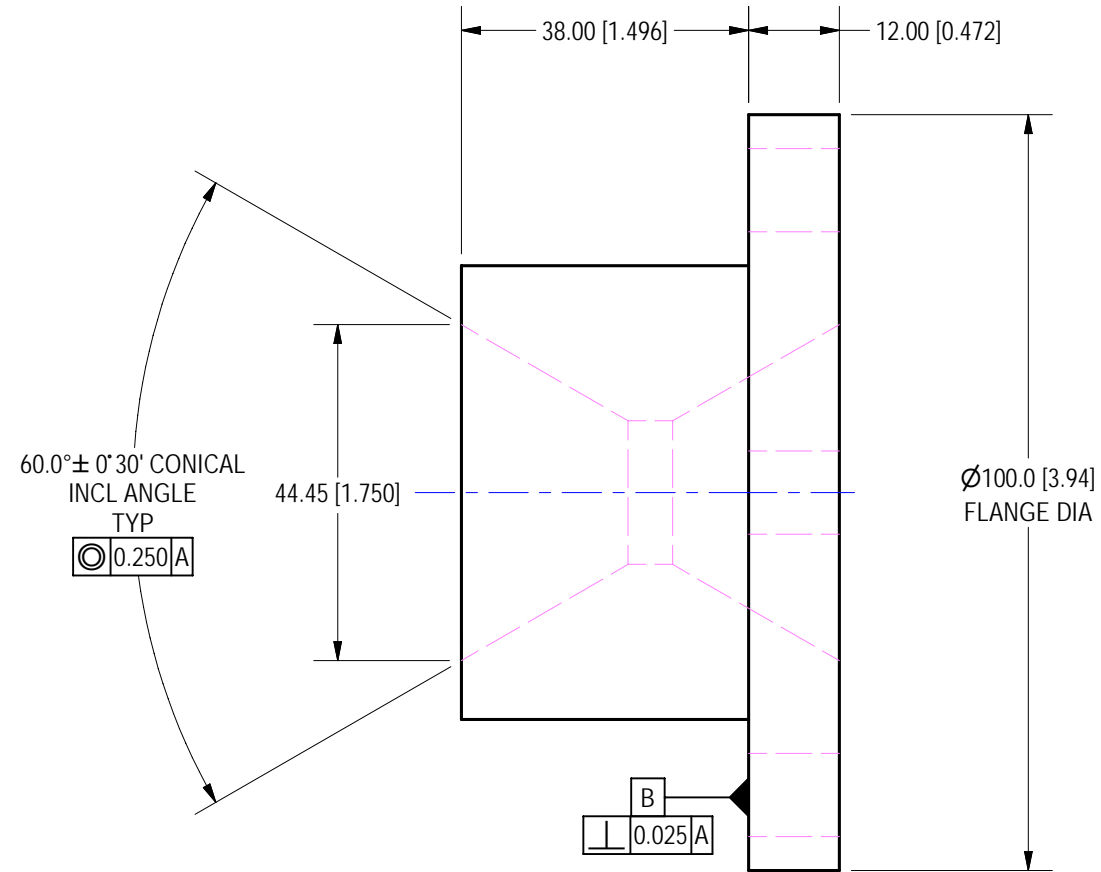
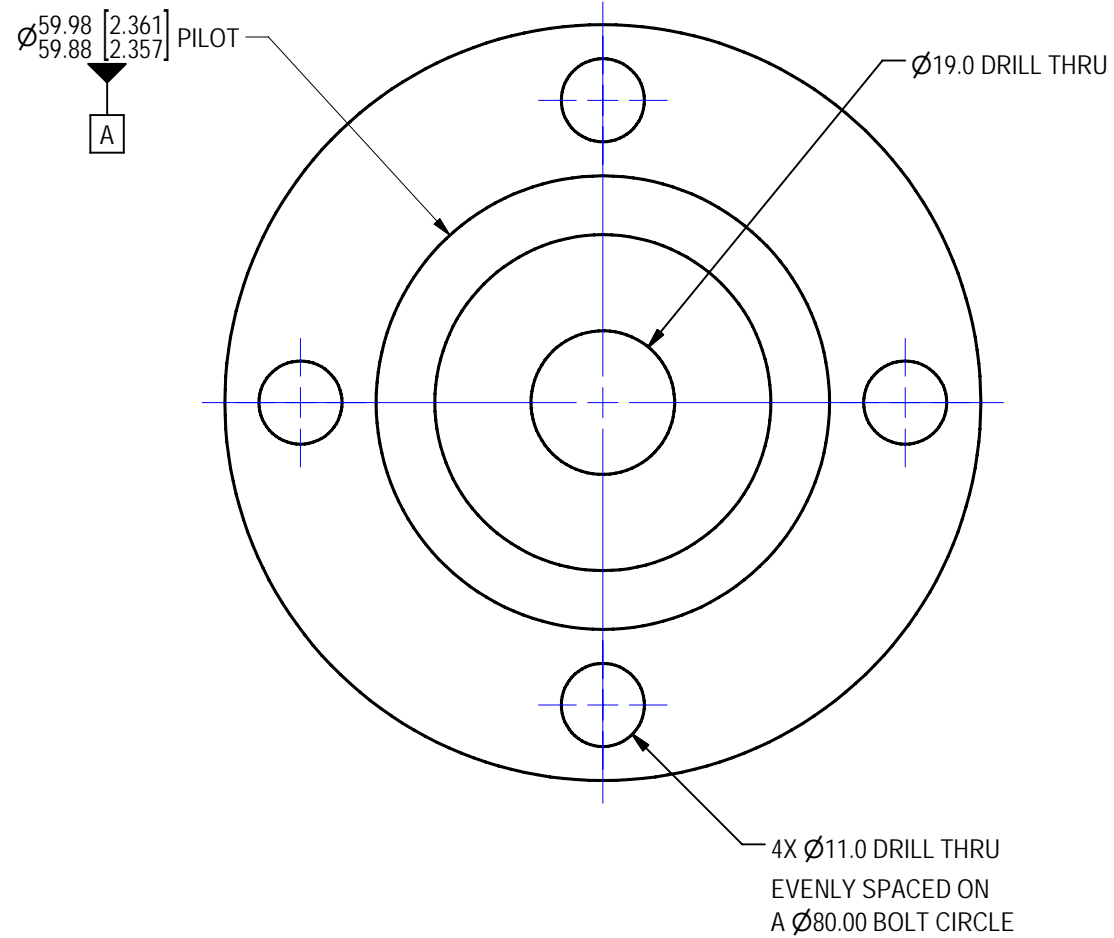


NAME	STOCK SIZE	MATERIAL	NOTES
HEAVY DUTY LOCKOUT RECEIVER	4" DIA X 2"	HRS	BREAK ALL SHARP EDGES CARB & HDN Rc 45-50 YELLOW ZINC PLATE

HEAT TREATMENT CERTIFICATION REQUIRED



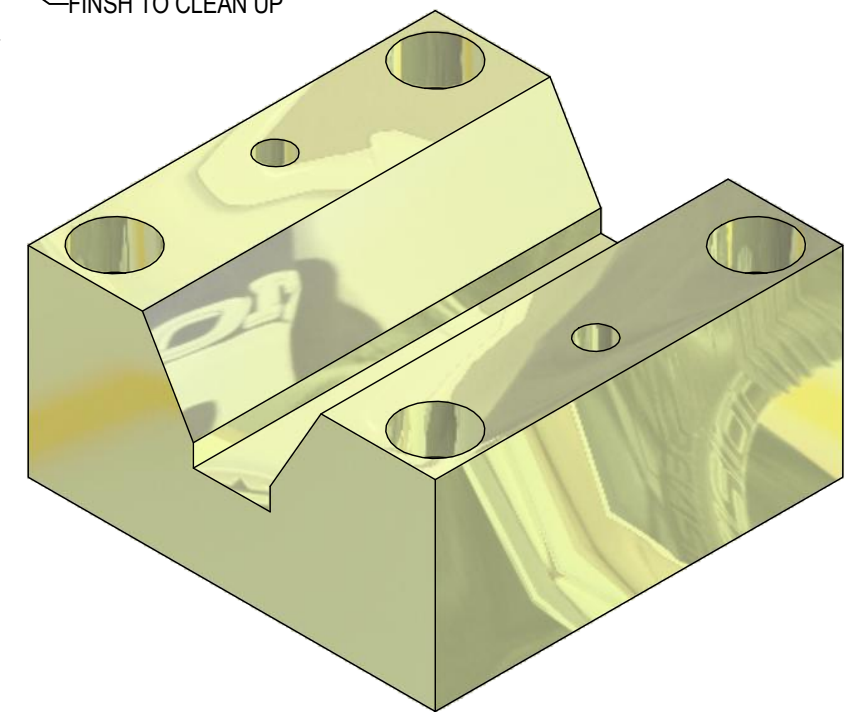
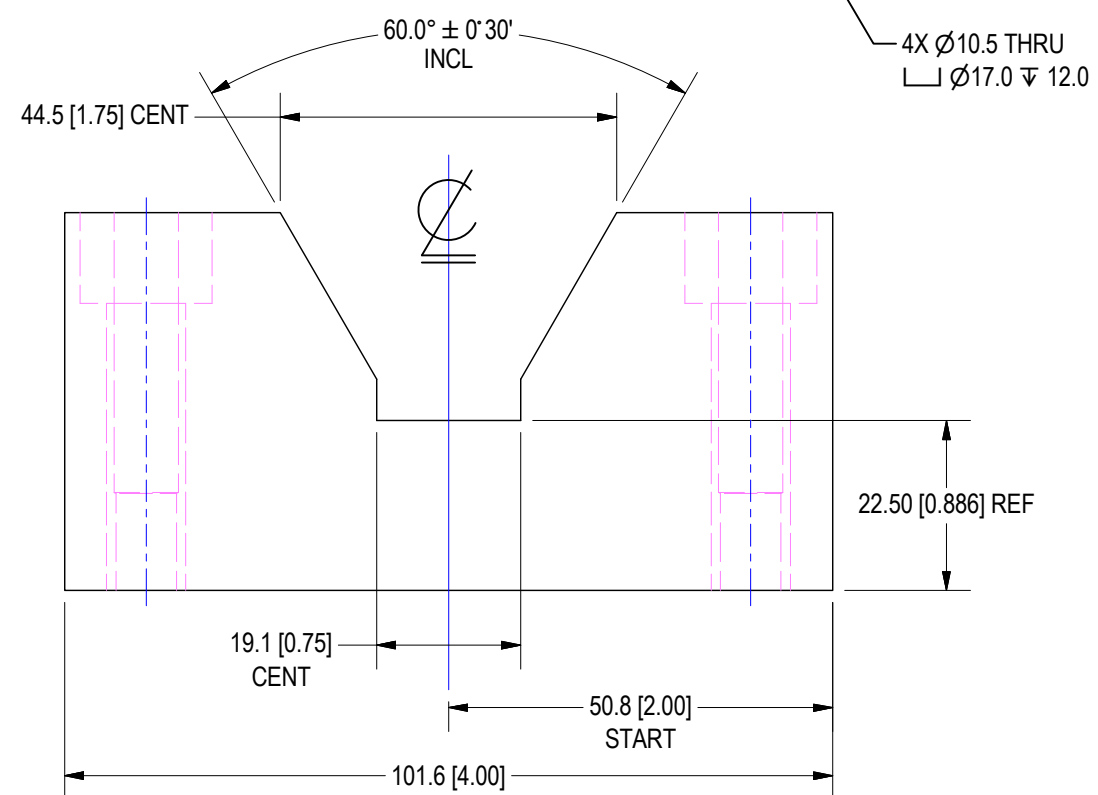
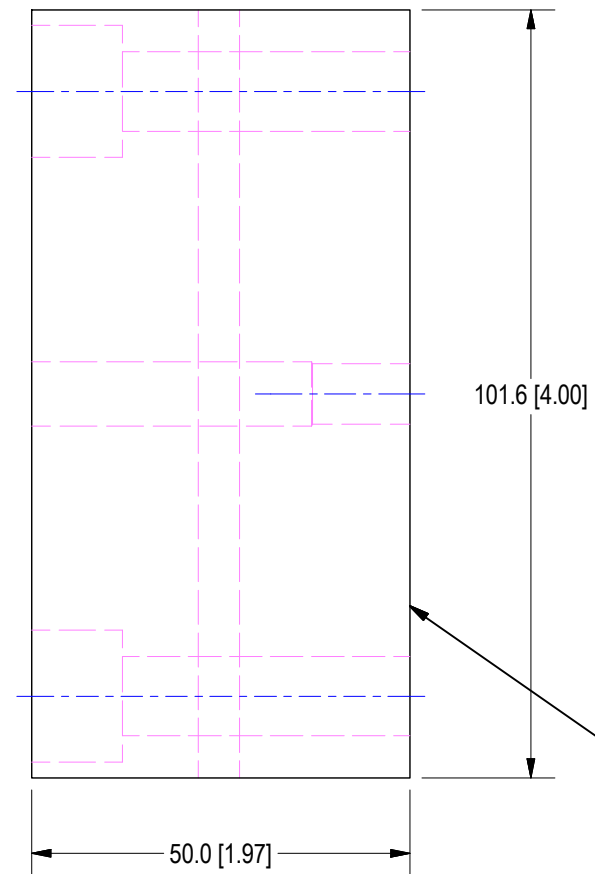
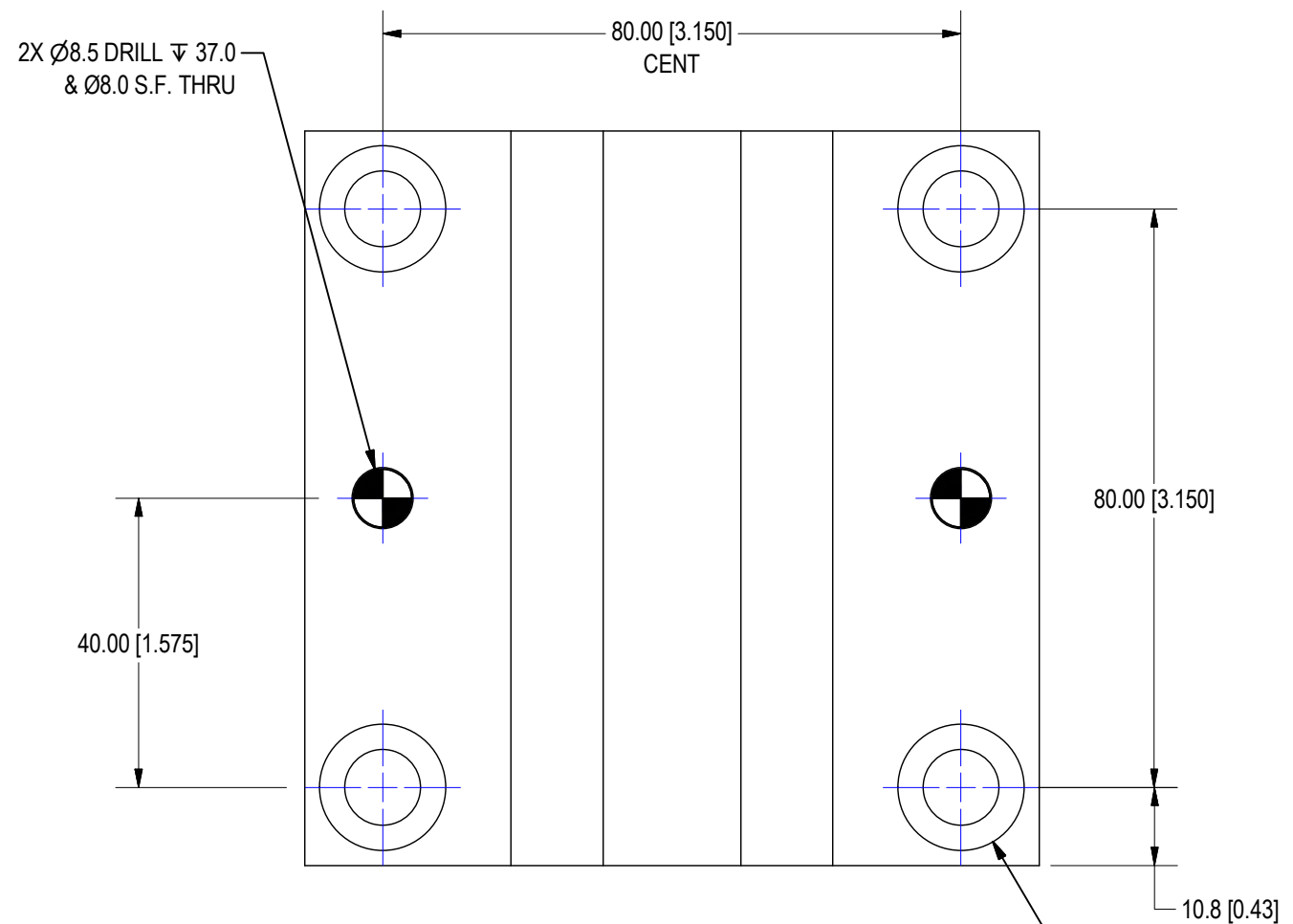
REV	DATE	STATUS	DESCRIPTION
1		Released	

EXCEPT AS NOTED
DECIMAL TOL. SHALL BE:
0 PLACE (FRACTIONS) $\pm .400$ [1/64"]
1 PLACE $\pm .200$ [0.010"]
2 PLACE $\pm .100$ [0.005]
3 PLACE $\pm .010$ [0.0005"]
ALL DOWEL LOC ± 0.010 [0.0005"]
BETWEEN HOLES

UNITS ARE MILLIMETERS
(i.e.X.XXmm [x.xxx"])
DO NOT SCALE DRAWING

EXCEPT AS NOTED, MAXIMUM
ALLOWABLE ROUGHNESS SHALL BE:
1 PLACE FINISH 6 MICRONS (250 MICROINCHES)
2 PLACE FINISH 3 MICRONS (125 MICROINCHES)
3 PLACE FINISH 1.6 MICRONS (63 MICROINCHES)

WEKER			
TOOL NAME HEAVY DUTY LOCKOUT RECEIVER			
DRAWN BY GSK	DATE	CHKD BY RCA	
SHEET 1 OF 1	FILE NAME		BRP01E91
SCALE			APPROVAL

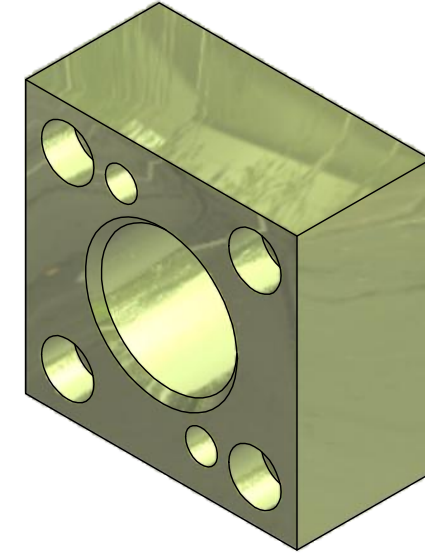
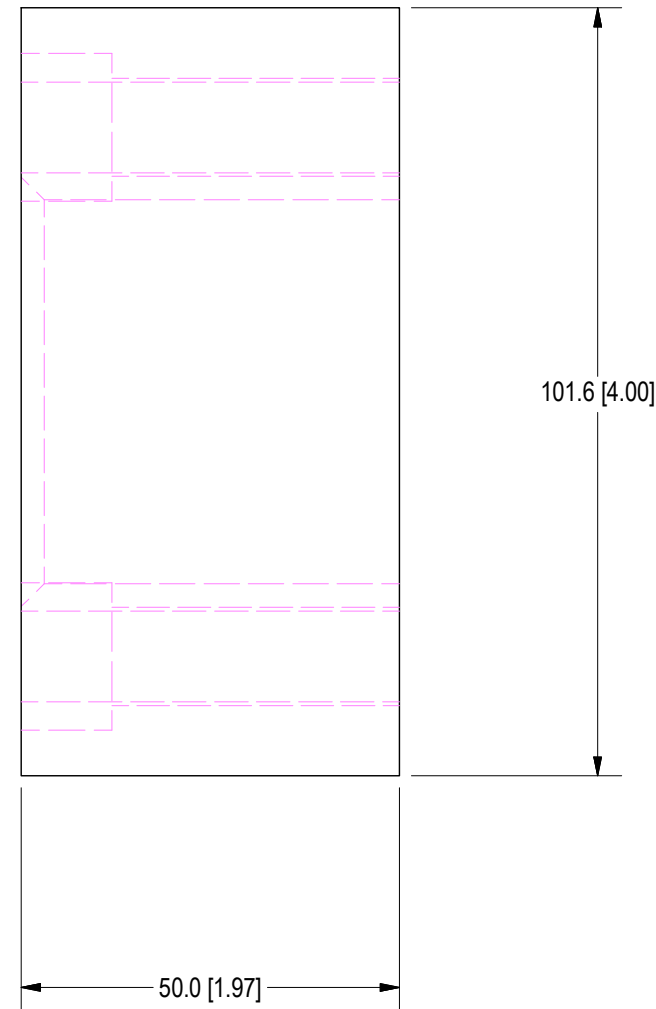
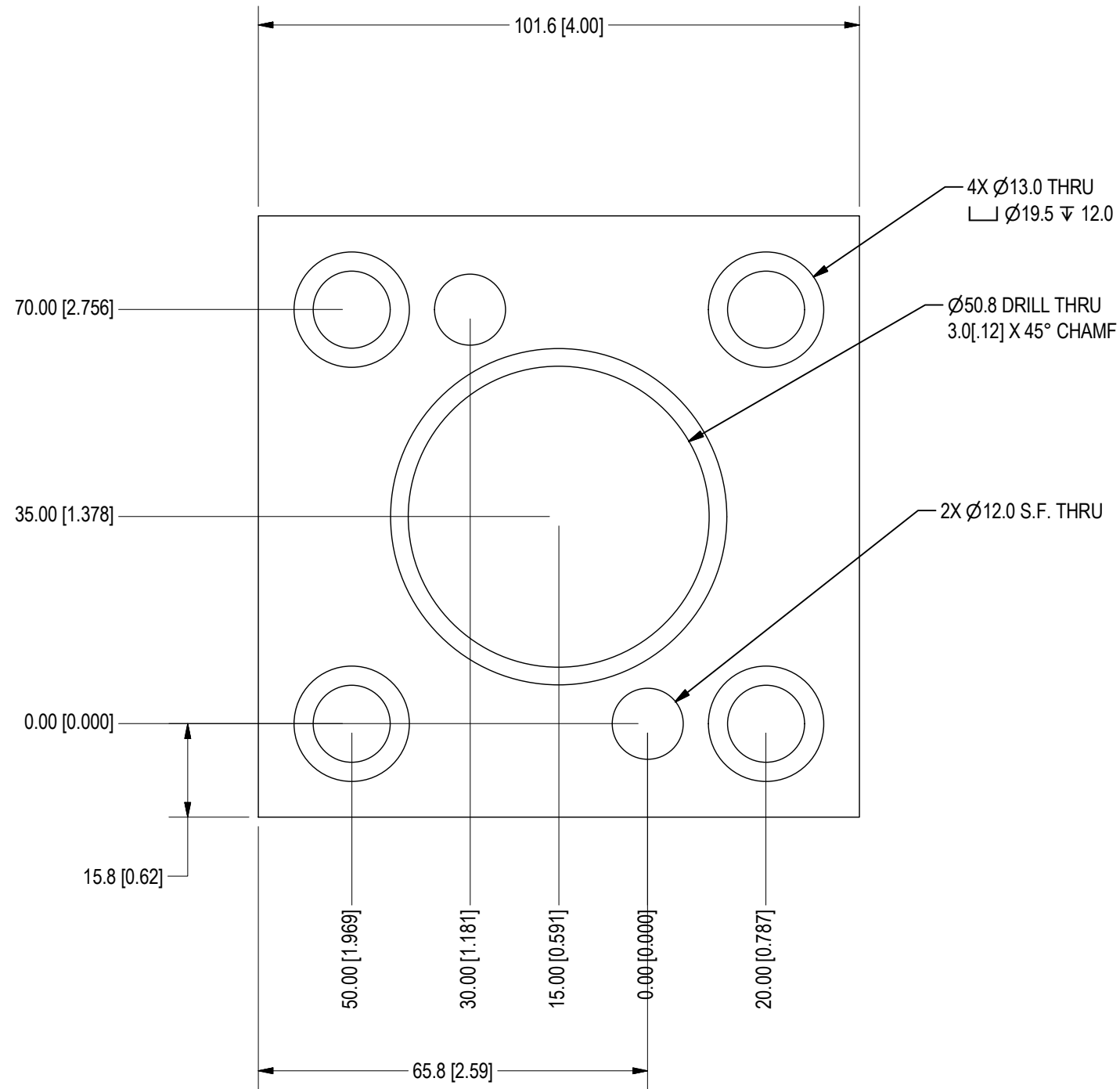


UNITS ARE MILLIMETERS
(i.e.X.XXmm [x.xxx"])
DO NOT SCALE DRAWING

WEKER BEARING COMPANY					
TOOL NAME HEAVY DUTY LOCKOUT RECEIVER					
TEMPLATE					
DRAWN BY BW	DATE 9/4/2001	CHK'D BY GSK	ENG APPROVAL		
SCALE	1:1	FILE NAME	BRP01E90		

DATE 9/8/2010	STATUS Released	SCALE	1:1	FILE NAME	BRP01E90
------------------	--------------------	-------	-----	--------------	----------

NAME	STOCK SIZE	MATERIAL	NOTES
HEAVY DUTY LOCKOUT RECEIVER	2" X 4" X 4"	4140 HT	YELLOW ZINC PLATE



UNITS ARE MILLIMETERS
(i.e.X.XXmm [x.xxx"])
DO NOT SCALE DRAWING

TOOL NAME					
HEAVY DUTY LOCKOUT RECEIVER					
TEMPLATE					
DRAWN BY	DATE	CHK'D BY	ENG		
BW	9/4/2010	GSK	APPROVAL		
DATE	STATUS	SCALE	FILE NAME		
10/6/2010	Released	1:1	BRP01E92		