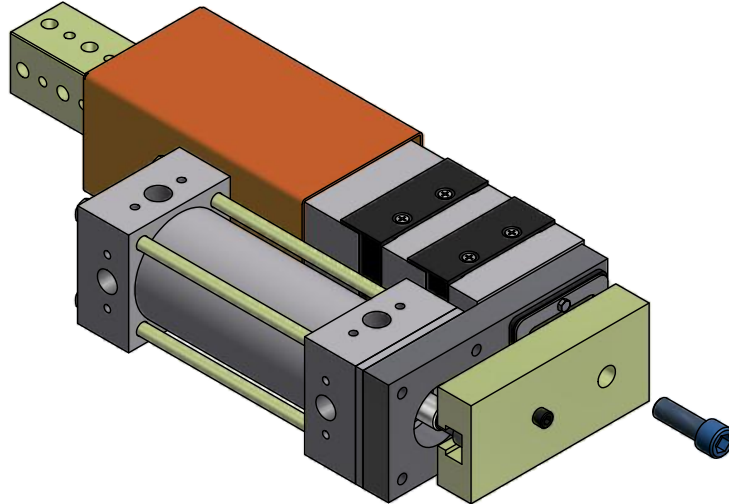


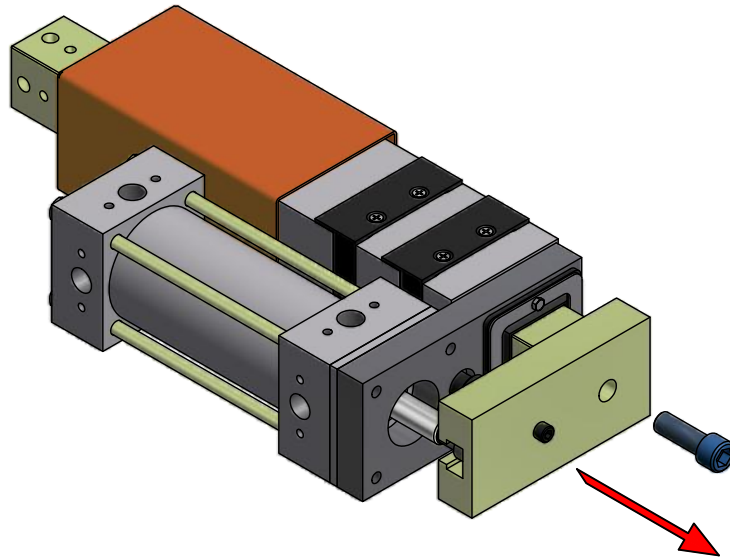
SB4N
INSTRUCTIONS FOR RIGID TO RAP



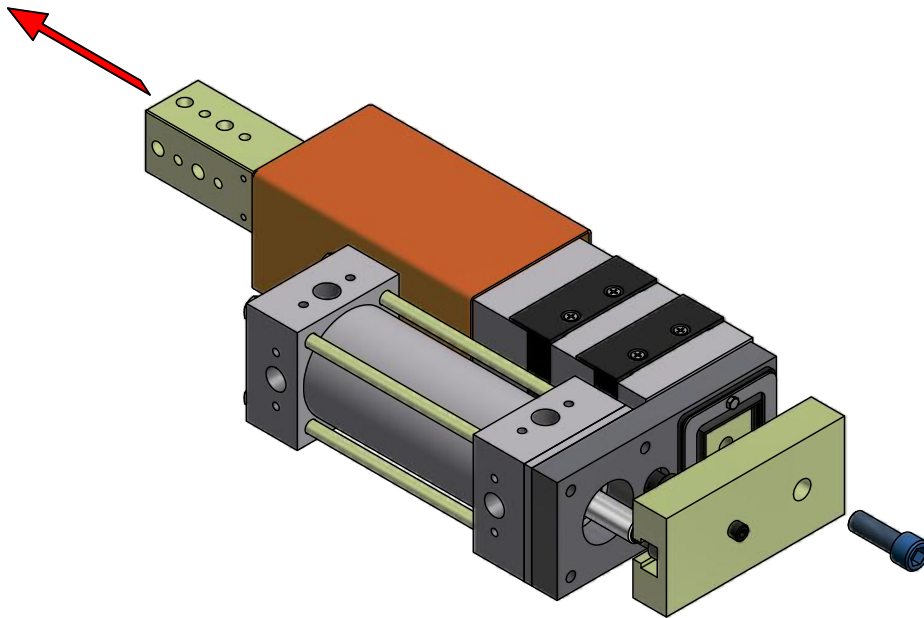
1.) REMOVE M12 S.H.C.S.

(DO NOT SCALE DRAWING)

WELKER
ENGINEERED PRODUCTS
248-528-2020 www.e-welker.com



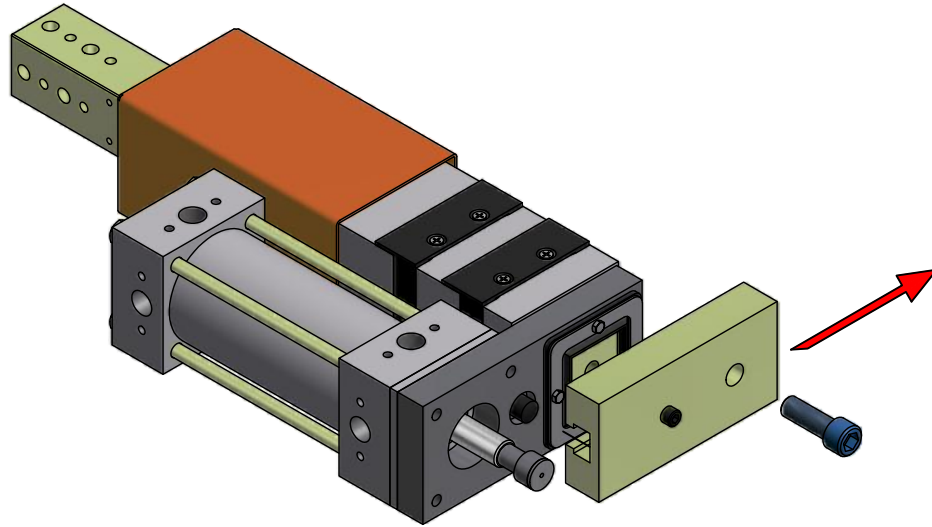
2.) EXTEND TIE BAR PLATE ALONG WITH CYL ROD



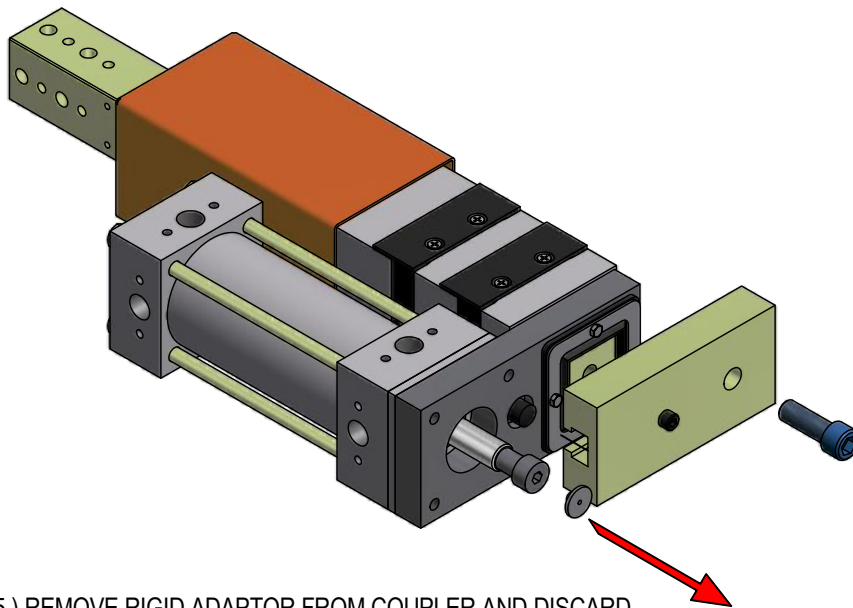
3.) RETRACT RAM

(DO NOT SCALE DRAWING)

WELKER
ENGINEERED PRODUCTS
248-528-2020 www.e-welker.com



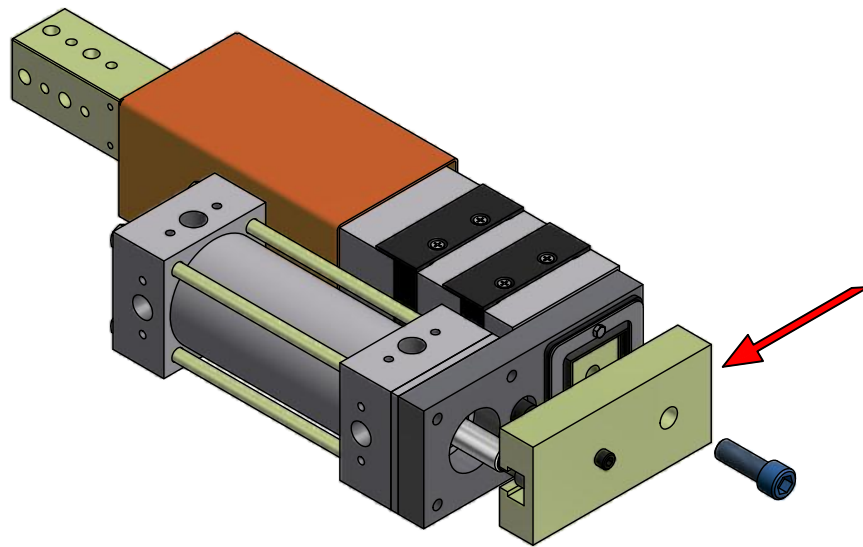
4.) SLIDE TIE BAR PLATE OFF OF COUPLER



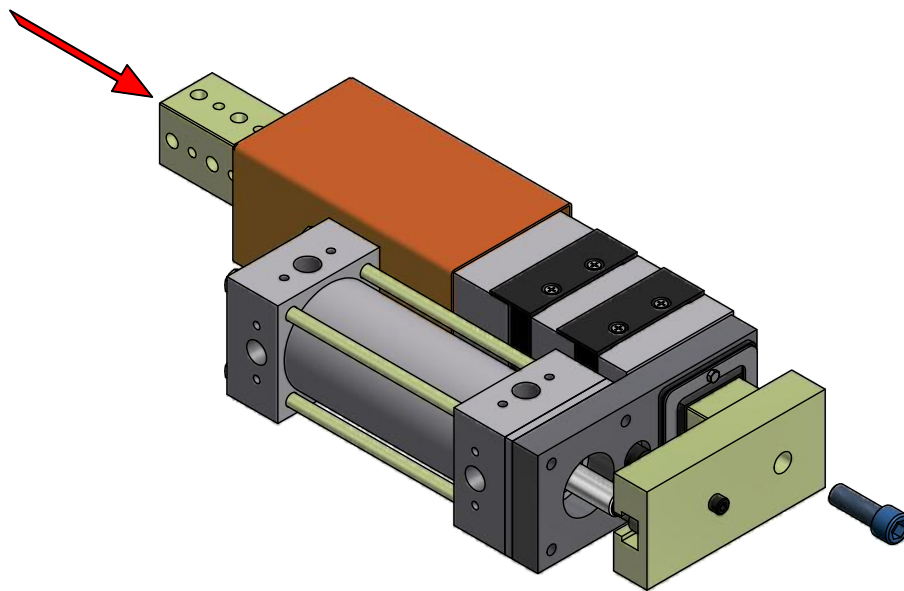
5.) REMOVE RIGID ADAPTOR FROM COUPLER AND DISCARD

(DO NOT SCALE DRAWING)

WELKER
ENGINEERED PRODUCTS
248-528-2020 www.e-welker.com



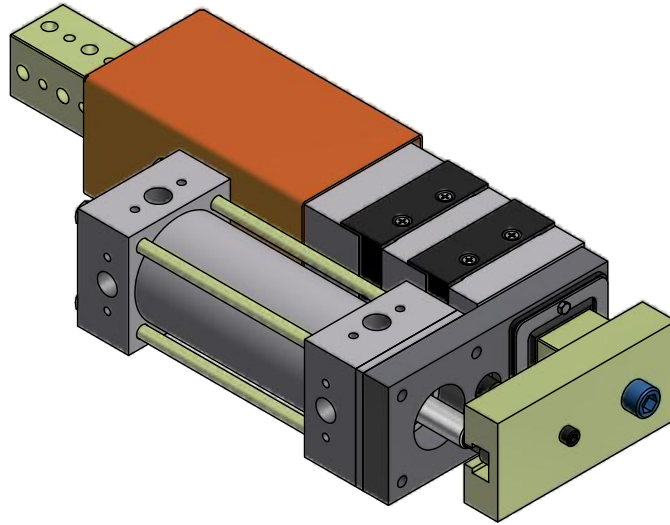
6.) SLIDE TIE BAR PLATE ONTO COUPLER



7.) EXTEND RAM

(DO NOT SCALE DRAWING)

WELKER
ENGINEERED PRODUCTS
248-528-2020 www.e-welker.com



8.) REPLACE M12 S.H.C.S. AND TIGHTEN

(DO NOT SCALE DRAWING)

WELKER
ENGINEERED PRODUCTS
248-528-2020 www.e-welker.com